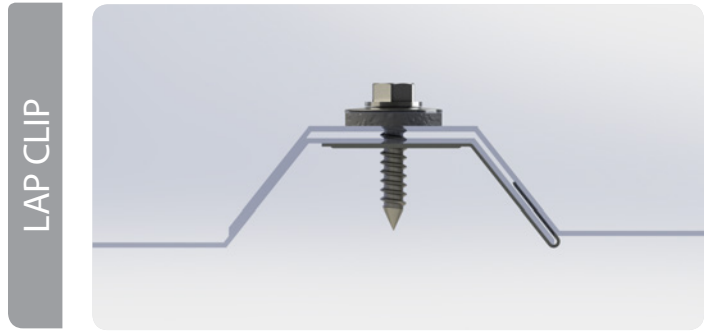
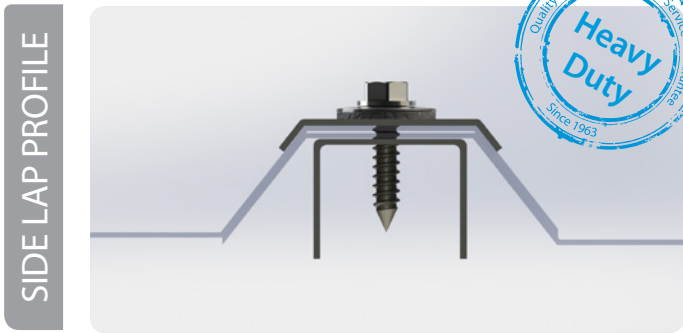


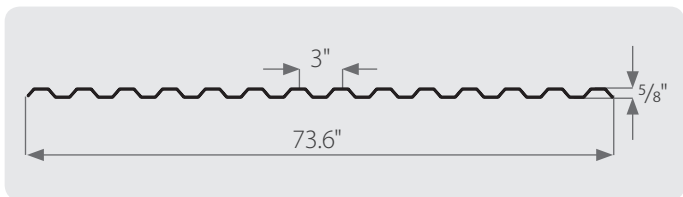
Side Lap Solutions for DYNAGLAS® Plus

Side Elevation - Greca



DYNAGLAS® Greca/Trapeze (76/18)

Profile Drawing



Side lap fastening solutions for other corrugation profiles are available with minimum order requirements.

Built-In Condensation Control

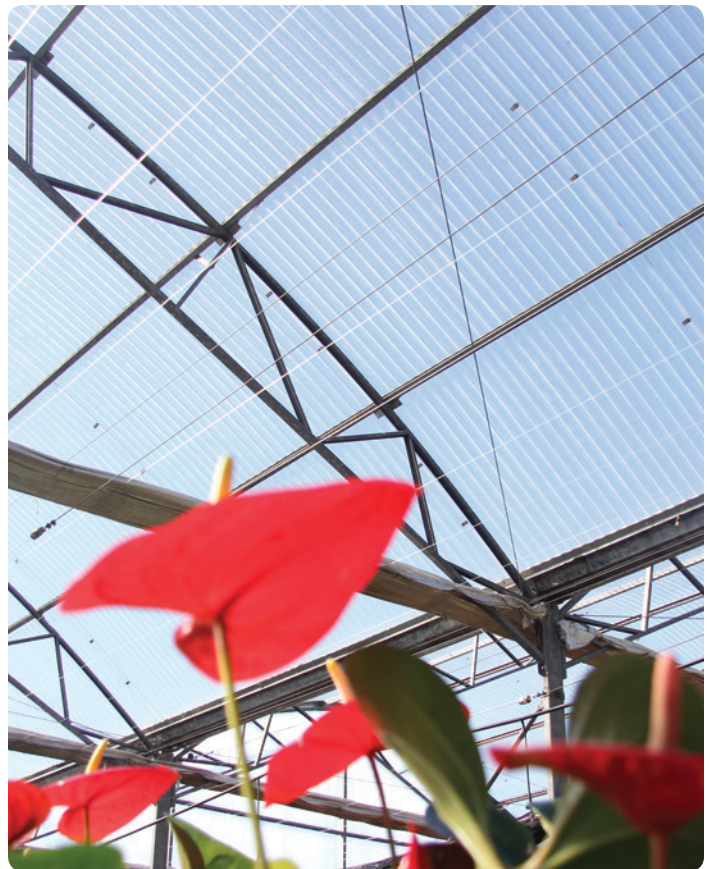
DYNAGLAS Plus with its unique condensation control, increases light transmission by 30% at peak condensation periods. The sheet also reduces disease resulting from condensation dripping.

Strength and Durability

DYNAGLAS Plus withstands hail and flying debris better than any other greenhouse covering. Its flexibility and tensile strength make it suitable for the harshest climates, including heavy snow and wind loads.

Resistance to UV Radiation

DYNAGLAS Plus withstands the detrimental effects of UV radiation, remaining clear for many years.



PALRAM AMERICAS

9735 Commerce Circle
Kutztown, PA, 19530 USA
Tel: 800.999.9459
palramamericas@palram.com



Authorized Distributor



In as much as PALRAM Industries has no control over the use to which others may put the material, it does not guarantee that the same results as those described herein will be obtained. Each user of the material should make his own tests to determine the material's suitability for his own particular use. Statements concerning possible or suggested uses of the materials described herein are not to be construed as constituting a license under any PALRAM Industries patent covering such use or as recommendations for use of such materials in the infringement of any patent. PALRAM Industries or its distributors cannot be held responsible for any losses incurred through incorrect installation of the material. In accordance with our company policy of continual product development you are advised to check with your local PALRAM Industries supplier to ensure that you have obtained the most up to date information.

©1997-2017 PALRAM Industries Ltd. | DYNAGLAS is a trademark of PALRAM Industries Ltd.



Form 3407 - 07/06/17/PBW